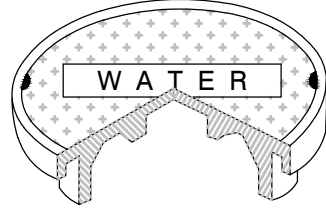


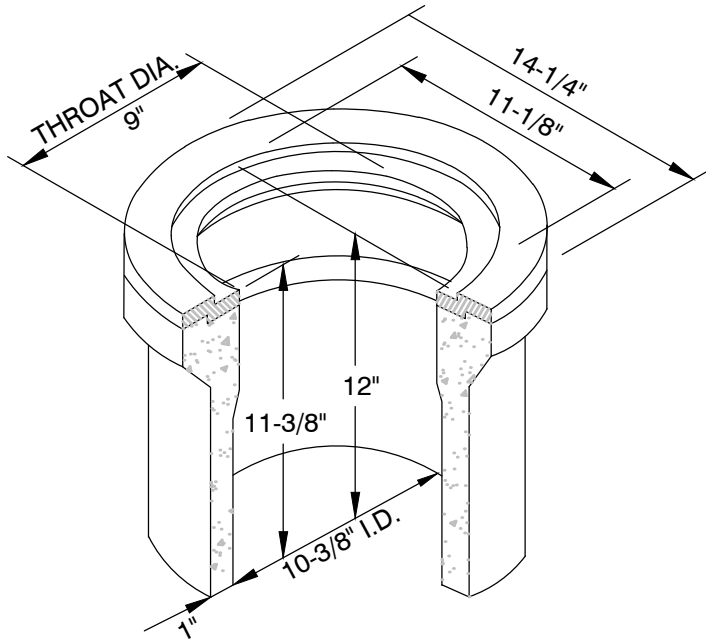
Best Water! Best Service!



GARDNERVILLE WATER COMPANY - VALVE BOX (G-8)



VALVE BOX LID



VALVE BOX

NOTES:

1. VALVE BOX MUST BE H20 TRAFFIC RATED WITH CAST IRON LID (CHRISTY G5, OR EQUAL APPROVED BY GARDNERVILLE WATER COMPANY).
2. MINIMUM OF 10" INSIDE DIAMETER.
3. CAST IRON LID MARKED "WATER" FOR WATER LINE APPLICATIONS.
4. RISER OF 8" PVC EXTENDED IN VALVE CAN A MINIMUM OF 6-INCHES.
5. ALL NEW VALVE BOXES TO BE SET TO FINISHED GRADE. GRADE RINGS NOT ALLOWED FOR NEW VALVE BOX INSTALLATIONS. ADJUSTED VALVE BOXES DUE TO OVERLAY, SHALL BE COORDINATED WITH AND APPROVED BY GARDNERVILLE WATER COMPANY.

NO.	REVISION	DATE	GARDNERVILLE WATER COMPANY - STANDARD DETAIL	DRAWING NO.	
			VALVE BOX	G-8	
				DATE:	PAGE:
				09/22	8