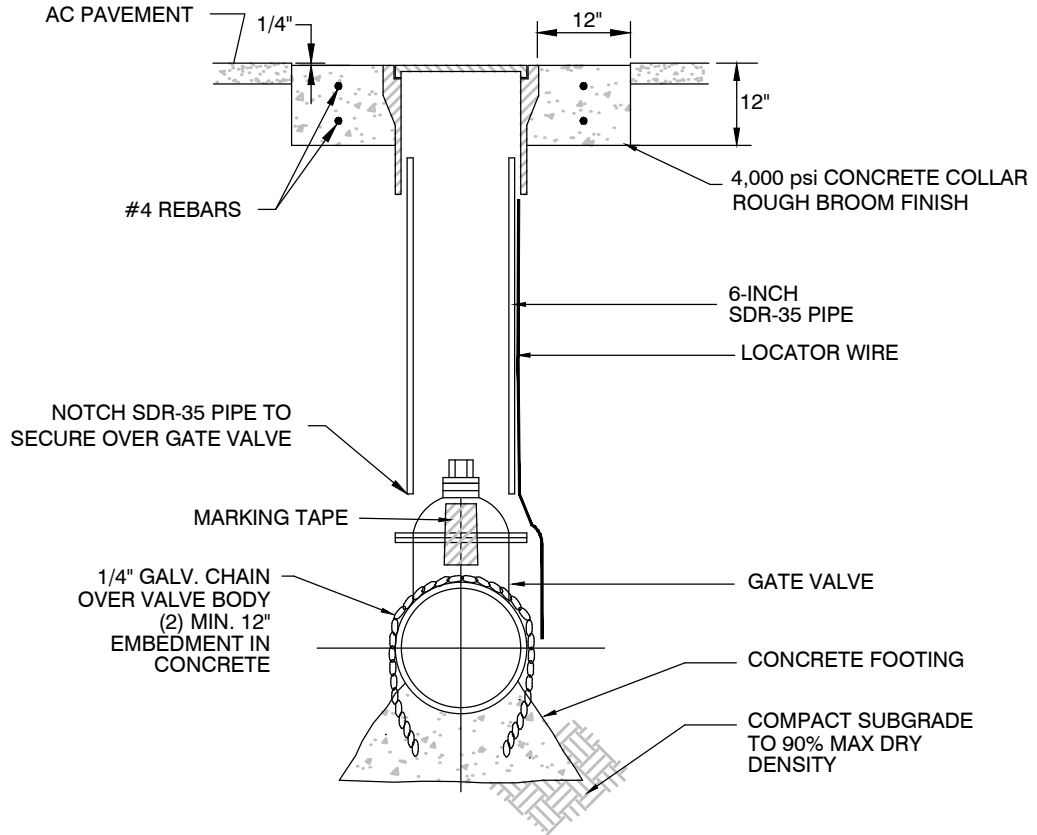


Best Water! Best Service!



GARDNERVILLE WATER COMPANY - GATE VALVE DETAIL (G-7)



NO.	REVISION	DATE	GARDNERVILLE WATER COMPANY - STANDARD DETAIL	DRAWING NO.	
1	TRENCH ADAPTOR	02/01	GATE VALVE DETAIL	G-7	
2	MISC. REVISIONS	09/12		DATE:	PAGE:
3	2022 UPDATES	09/22		09/22	7