

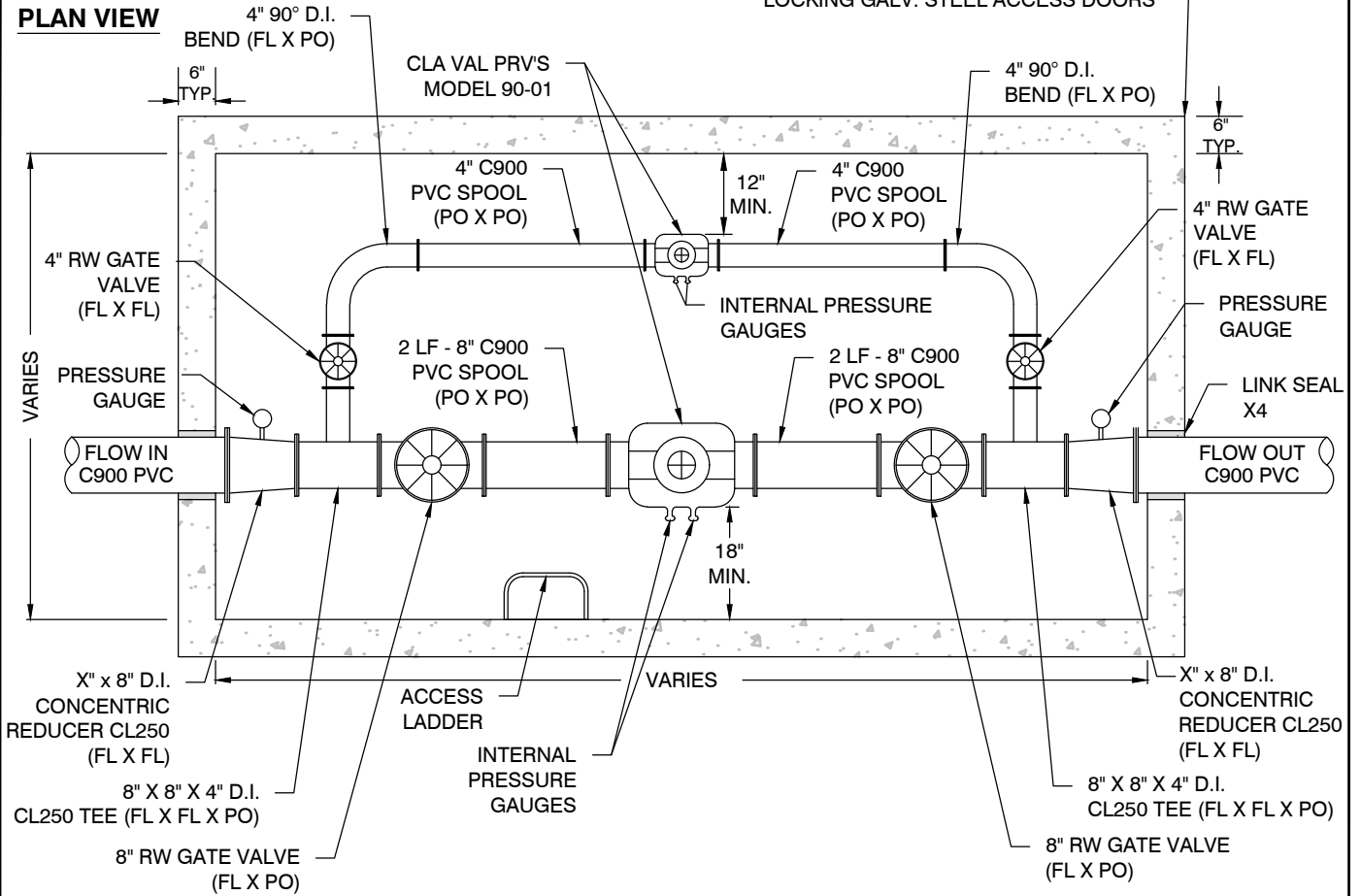
Best Water! Best Service!



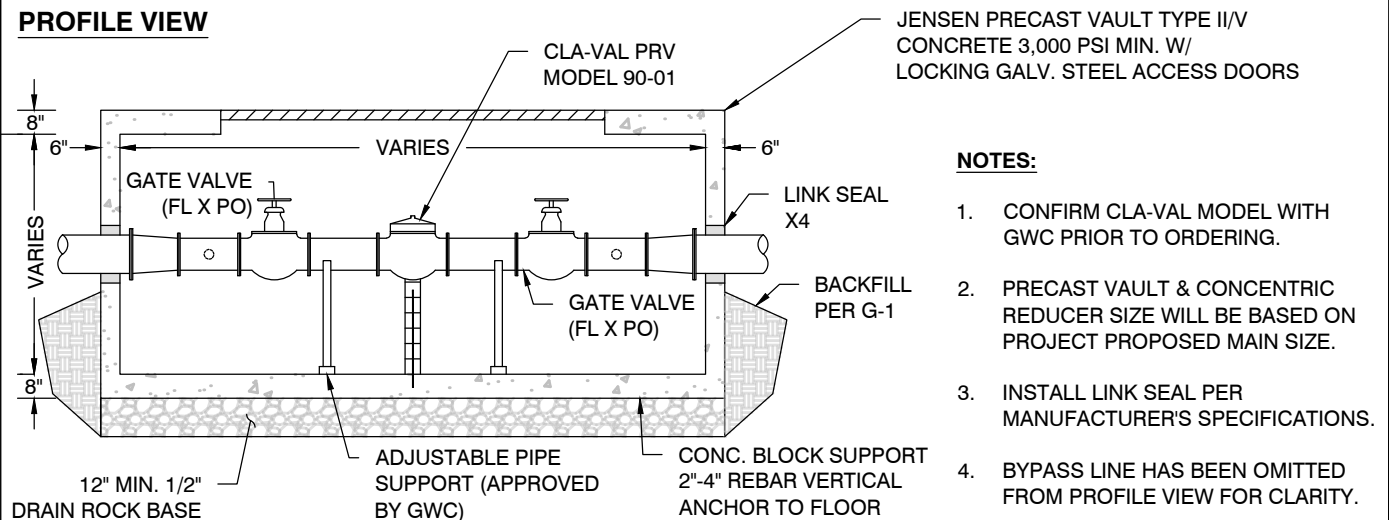
## GARDNERVILLE WATER COMPANY - PRESSURE REDUCING VALVE (G-10)

JENSEN PRECAST VAULT TYPE II/V  
CONCRETE 3,000 PSI MIN. W/  
LOCKING GALV. STEEL ACCESS DOORS

### PLAN VIEW



### PROFILE VIEW



#### NOTES:

1. CONFIRM CLA-VAL MODEL WITH GWC PRIOR TO ORDERING.
2. PRECAST VAULT & CONCENTRIC REDUCER SIZE WILL BE BASED ON PROJECT PROPOSED MAIN SIZE.
3. INSTALL LINK SEAL PER MANUFACTURER'S SPECIFICATIONS.
4. BYPASS LINE HAS BEEN OMITTED FROM PROFILE VIEW FOR CLARITY.

NO.	REVISION	DATE	GARDNERVILLE WATER COMPANY - STANDARD DETAIL	DRAWING NO.	
			<h1 style="margin: 0;">PRESSURE REDUCING VALVE</h1>	<h2 style="margin: 0;">G-10</h2>	
				DATE:	PAGE:
				09/22	10